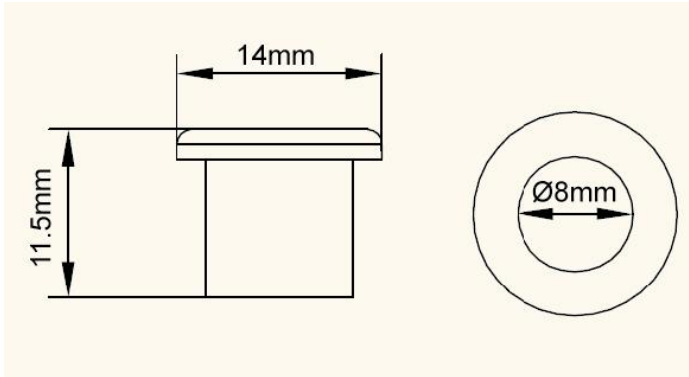


# OPT-Kate-1

A Lens less fibre optic fitting for use in a wide variety of applications.

# Technical Specifications

Product Description	OPT-Kate-1
Height	11.5mm
Trim	14mm
Mounting Hole Size	10mm
Ferrule	M10
Min. Fibre size	2mm
Max. Fibre size	8mm
Weight	84.2g
Material	Aluminium



## Product Code

Kate Fitting	OPT-KATE-1
--------------	------------