

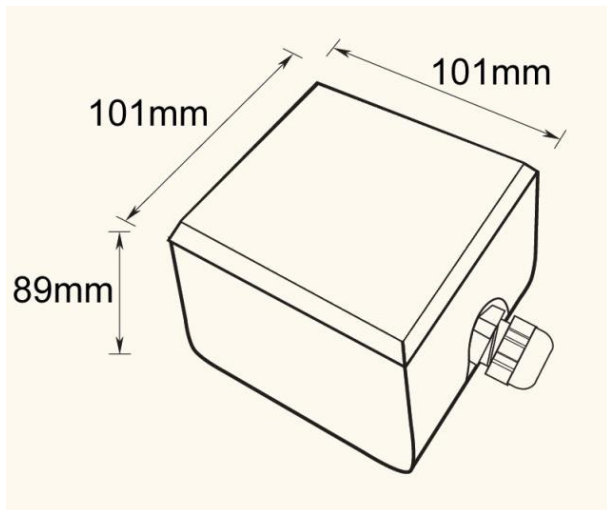


OPT-SVP-100

A fibre optic fitting with a domed clear lens for use in a wide variety of applications.

Technical Specifications

Product Description	OPT-SVP-100
Height	89mm
Mounting Hole Size	101mm x 100mm
Termination	Cable Gland
Min. Fibre size	2mm
Max. Fibre size	3.5mm
Weight	84.2g
Material	PVC Acrylic



Product Code

OPT-SVP-100	OPT-SVP-100
-------------	-------------