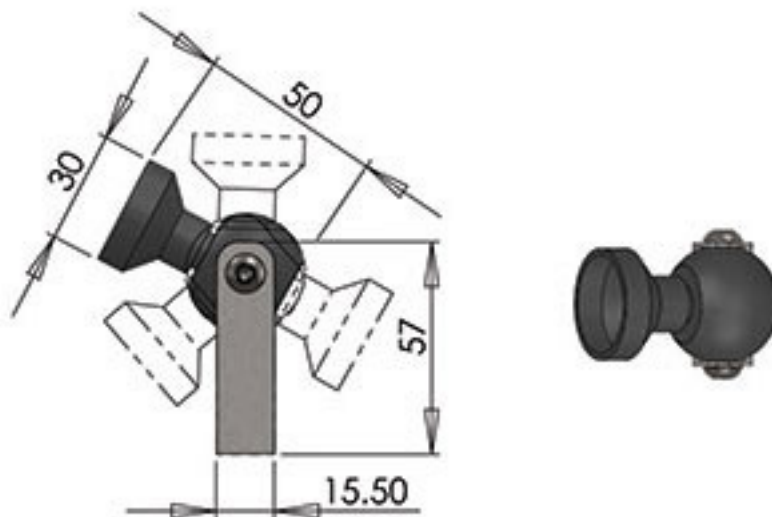




OPT-10DBRS

Technical Specifications

Lens	26mm clear focusing lens
Focus range	25° - 45°
Material	Aluminium, stainless steel or polycarbonate
Colours available	Polished aluminium, black, white
Flange size	30 mm
Tilt	360°
Weight	58.5g (aluminium) / 121.1g (stainless steel) / 37.7g (polycarbonate)
Mounting	M6 screwfix with bracket
Ferrules size	M10 or M8
Min. fibre size	2mm
Max. fibre size	8mm



Product Code

11D Stainless Steel

OPT-10DBRS