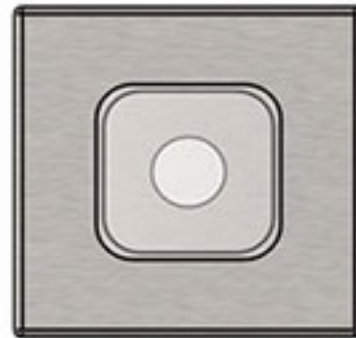
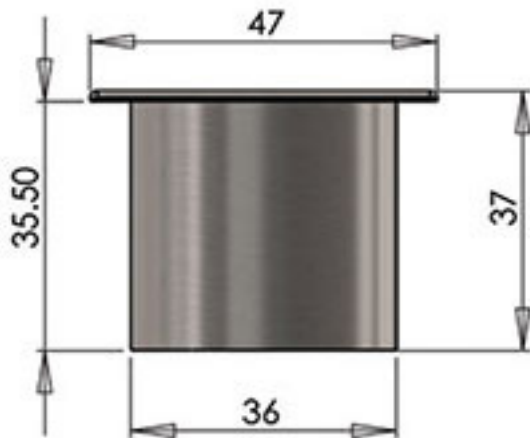




OPT-P14N

Technical Specifications

Lens	Clear or frosted
Beam angle	60°
Material	Stainless steel
Colours available	Natural
Flange size	47 mm
Weight	222.4 g
Mounting hole size	38 mm
Ferrules size	M10 or M8
Min. fibre size	2mm
Max. fibre size	8mm



Product Code

P14N Stainless Steel

OPT-P14N