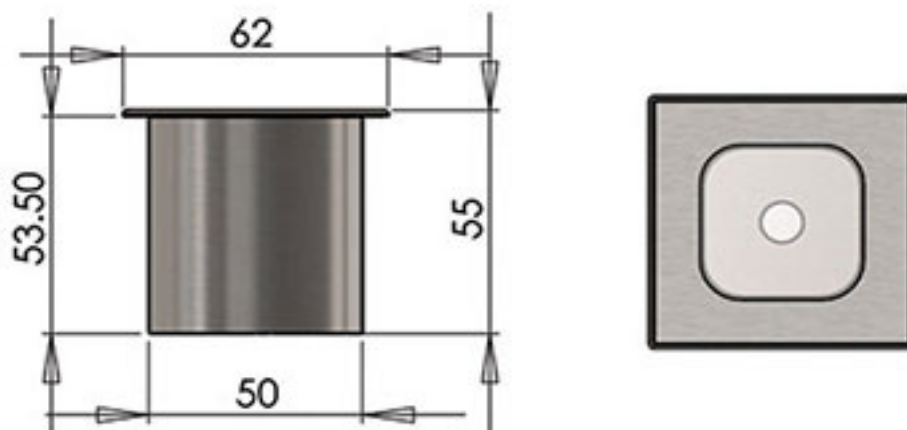




OPT-P15

Technical Specifications

Lens	Clear or frosted
Beam angle	45°
Material	Stainless steel
Colours available	Natural
Flange size	62 mm
Weight	306.5 g
Mounting hole size	51 mm
Ferrules size	M10 or M8
Min. fibre size	2mm
Max. fibre size	8mm



Product Code

P15 Stainless Steel

OPT-P15