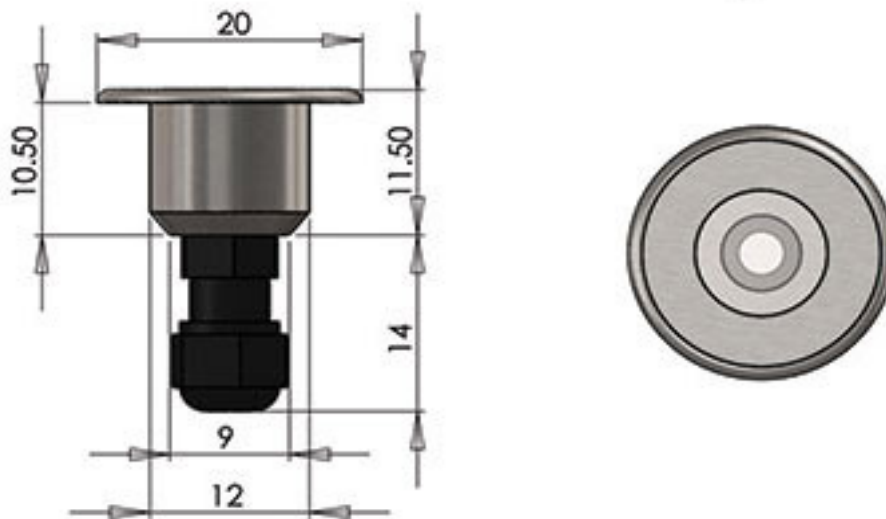




OPT-P4G

Technical Specifications

Glass	10mm
Beam angle	20° - 50°
Material	Stainless steel
Colours available	Natural
Flange size	20 mm
Weight	12 g
Mounting hole size	12.5 mm
Ferrules size	N/A
Min. fibre size	1.5mm
Max. fibre size	2mm



Product Code

P4G

OPT-P4G