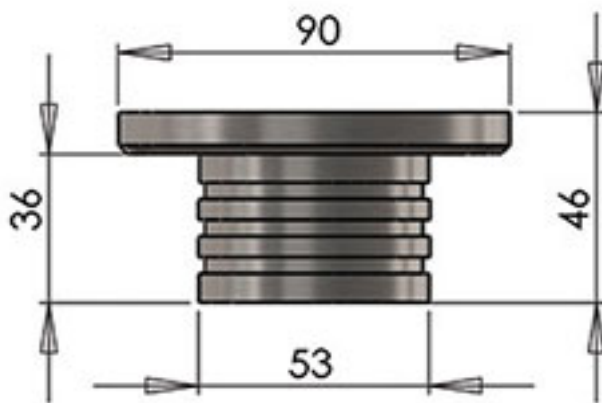




OPT-P18

Technical Specifications

Lens	50mm clear or frosted
Material	Stainless steel
Colours available	Natural
Flange size	90 mm
Weight	762.1 g
Mounting hole size	54 mm
Ferrules size	M10 or M8
Min. fibre size	2mm
Max. fibre size	8mm



Product Code

P18 Stainless Steel

OPT-P18